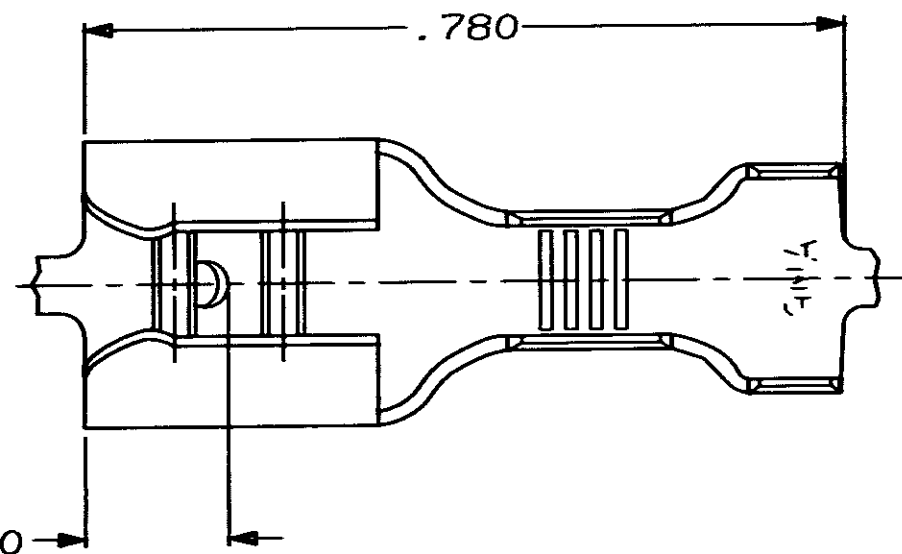
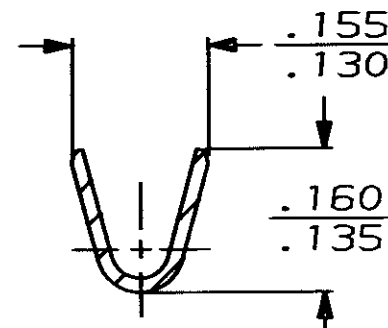
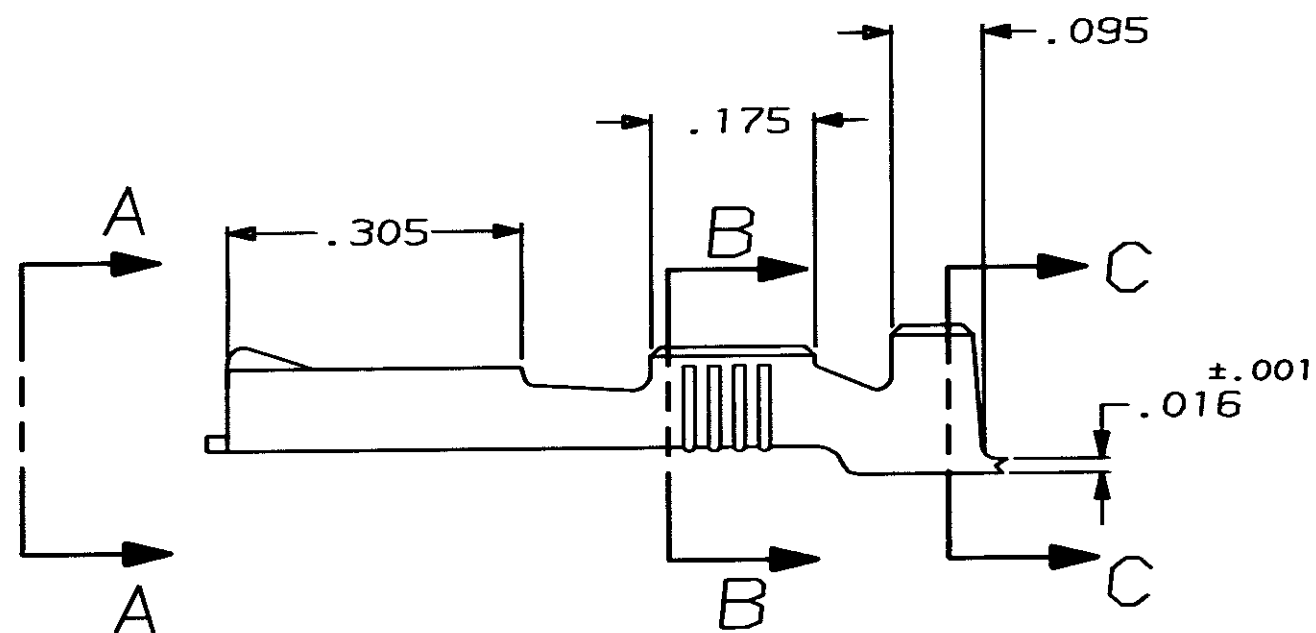
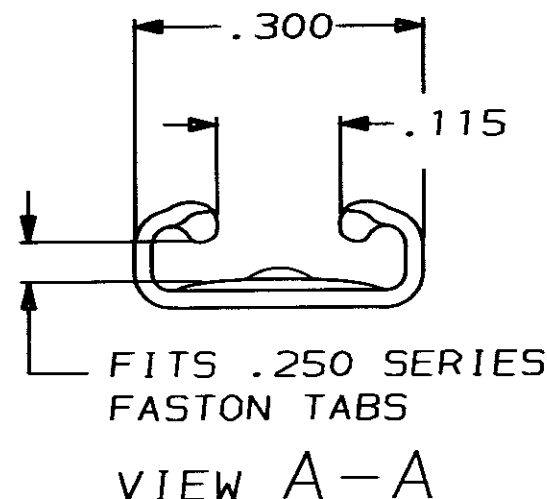


THIS DRAWING IS UNPUBLISHED. RELEASED FOR PUBLICATION .19  
 © COPYRIGHT 19 BY AMP INCORPORATED. ALL INTERNATIONAL RIGHTS RESERVED.

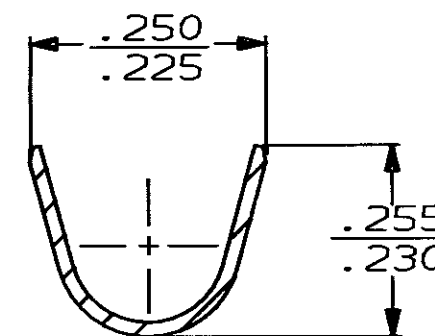
LOC	DIST	REVISIONS				
AF	50	ZONE	LTR	DESCRIPTION	DATE	APPD
			F	REVISED AF-7653	10/9/91	JR



1 CONTINUOUS STRIP ON REELS.



SECTION B-B



SECTION C-C

TIN	.150-.210 DIA	18-14 AWG	.032	42692-2
FINISH	INSULATION RANGE	WIRE SIZE	MATING TAB THK ±.001	42692-1
DO NOT SCALE PRINT. UNLESS SPECIFIED DIMENSIONS ARE IN INCHES TOLERANCES ON: 2 PLC DEC ± - 3 PLC DEC ± .015 ANGLES ± -		DR 4/15/91 JR RUTH	AMP AMP Incorporated Harrisburg, PA 17105-3608	
MATERIAL	4M BRASS	CHK 4/15/91 MS FEHER	NAME RECEPTACLE, FASTON, .250 SERIES	
FINISH	SEE TABLE	APPD 4/15/91 C MEYERS	SIZE B	CAGE CODE 00779
		APPD 4/15/91 D REIMER	DRAWING NO 42692	
		PRODUCT SPEC -	SCALE 5:1	SHEET 1 OF 1
		APPLICATION SPEC -		
		WEIGHT -		

CUSTOMER DRAWING